

638311 ONTARIO INC., O.A.

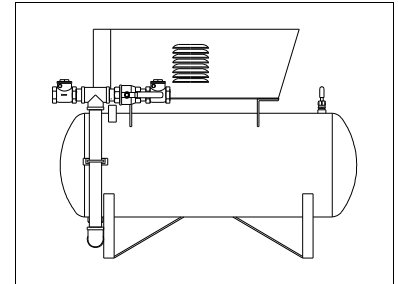
WAUBAUSHENE MACHINE & WELDING

Box 99, 111 Coldwater Rd., Waubaushene, Ontario, L0K 2C0, Canada
Phone: (705) 538-1459 or (800) 663-1624 Fax: (705) 538-1776



AVR20

Low Cost Model For Small Marinas



Standard Equipment:

Motor: ¼ Hp electric

Tank: 25 US Gal. (94 l)

Connections: 1 ½ " NPT intake & discharge

Finish: painted blue metallic top, hot dipped galvanized cycle tank (grey zinc finish)

Included Accessories: 25 ft intake hose assembly, 2 sizes of deck adapters (1 ¼ " & 1 ½ "), universal deck adapter & potty wand.

Control Box Approval:



- Features:**
- ✓ auto cycling between suction and discharge as necessary
 - ✓ odourless - odour is vented to discharge line
 - ✓ easy single switch operation (OFF / Suction / Discharge)
 - ✓ indicator lights to monitor pump mode (Suction / Discharge) & tank status (Empty / Full)
 - ✓ pre-wired for standard 120V power outlet (other voltages available)

Optional Equipment:

- x remote box or galvanized remote stand for multiple intake locations on dock (including electric controls)
- x auto discharge - pump tank will be emptied automatically when pump is not used
- x motorized ball valve in intake or discharge line
- x dual coated tank (galvanized & painted)
- x single hand operated suction nozzle

Performance Specifications:

Max. Suction Lift (recommended)	20 ft (6 m)	Max. Discharge Head	30 ft (9 m)
Max. Suction Distance (recommended)	100 ft (30 m)	Max. Discharge Distance (recommended)	250 ft (75 m)
Max. Suction Performance*	20 GPM (75 l/min)	No. of Boats serviceable at same Time	1

* performance (in US gallons/minute) through 1 ½" port @ 0 ft vertical lift, 1725 rpm

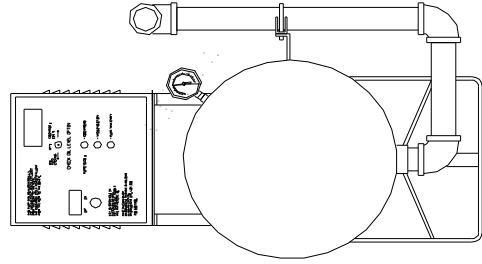
Dimensions:

Width	20" (51 cm)	Length	44" (112 cm)
Hight	34" (87 cm)	Tank Diameter	14" (36 cm)
Empty Weight	200 lbs (91 kg)	Full Weight	425 lbs (193 kg)
Intake Port	1 ½ "	Discharge Port	1 ½ "

SPECIFICATIONS SUBJECT TO CHANGE WITHOUT NOTICE

PLEASE VISIT OUR WEBSITE WWW.WMWPUMP.COM FOR MORE INFORMATION

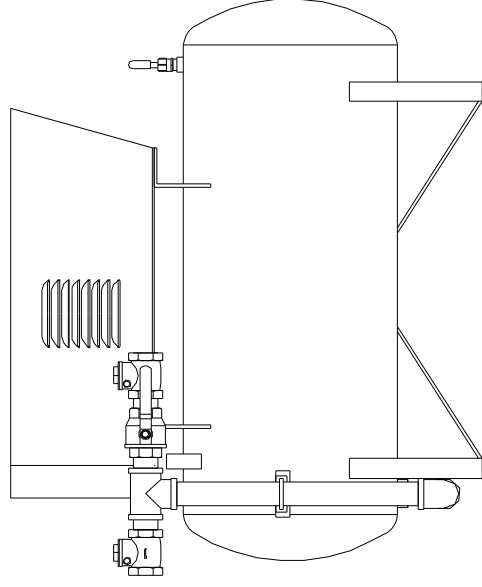
20" (51 cm)



34" (87 cm)

FRONT

44" (112 cm)



SIDE

WAUBAUSHENE MACHINE & WELDING
BOX 99, 111 COLDWATER RD. WAUBAUSHENE
ONTARIO, L0K 2C0, CANADA
PHONE: (705) 538-7459 or (800) 663-1624
FAX: (705) 538-1776 WEB: WWW.WMPUMP.COM

TITLE: AVR20 Pump Out System

DATE: Nov. 2005

DRAWING #:

PUMP20DWG

REVISED:

J.-O. H.